

Redundant I/O

Wiring digital inputs

Fault-tolerant
SIMATIC

Overview

Redundancy features

- Switchover
- Synchronization

■ Self-test

■ Programming

■ CIR

■ Online repair

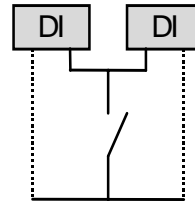
Configuration

Communication

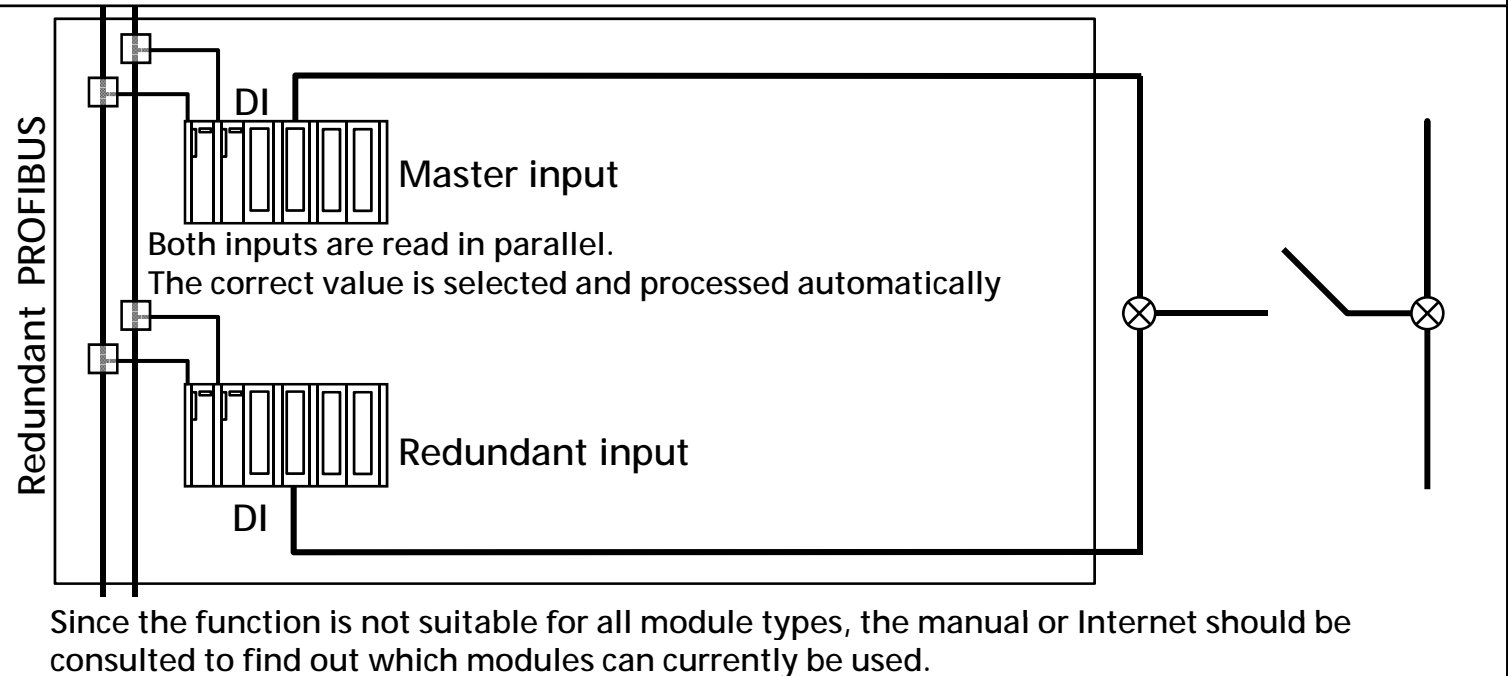
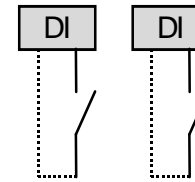
Redundant I/O

SIEMENS

With one sensor



With two sensors



Redundant I/O

Wiring analog inputs

Fault-tolerant
SIMATIC

Overview

Redundancy features

- Switchover
- Synchronization
- Self-test

■ Programming

■ CIR

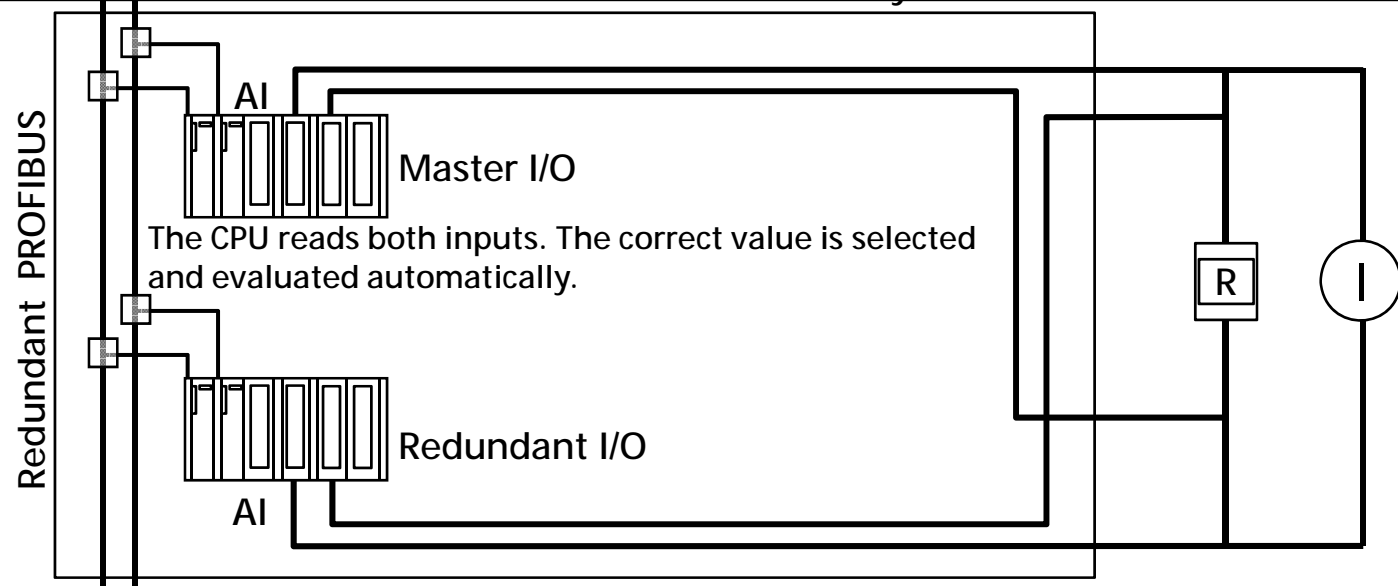
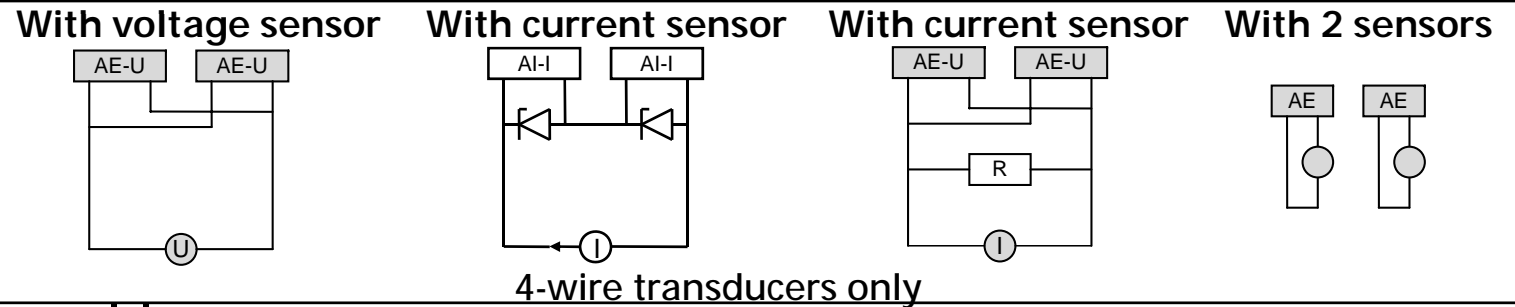
■ Online repair

Configuration

Communication

Redundant I/O

SIEMENS



Since the function is not suitable for every module type, the manual or Internet should be consulted to find out which modules can currently be used.



Redundant I/O

Wiring digital outputs

Fault-tolerant
SIMATIC

Overview

Redundancy features

- Switchover
- Synchronization

■ Self-test

■ Programming

■ CIR

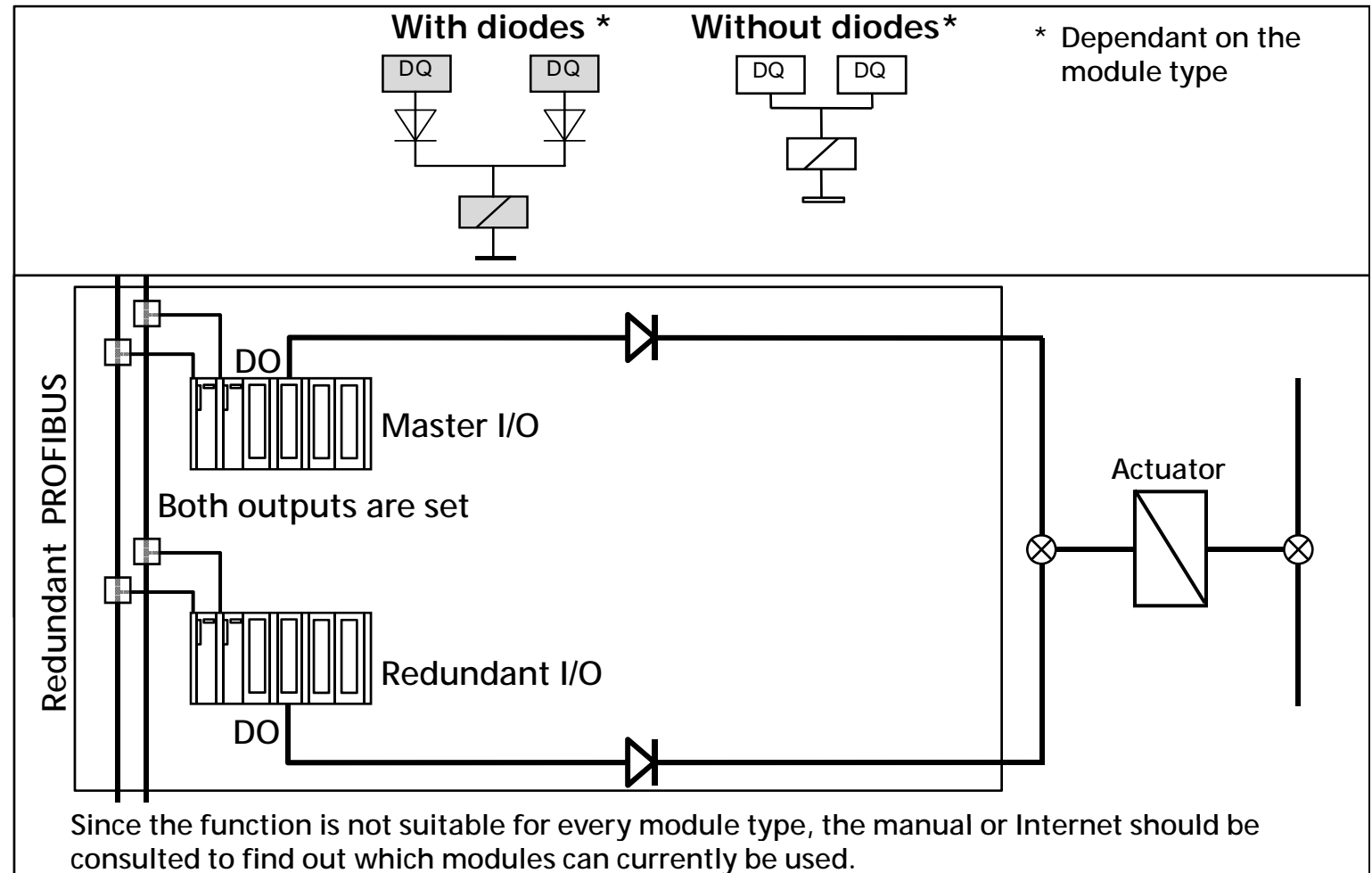
■ Online repair

Configuration

Communication

Redundant I/O

SIEMENS





Redundant I/O

Wiring analog outputs

Fault-tolerant
SIMATIC

Overview

Redundancy features

■ Switchover

■ Synchronization

■ Self-test

■ Programming

■ CIR

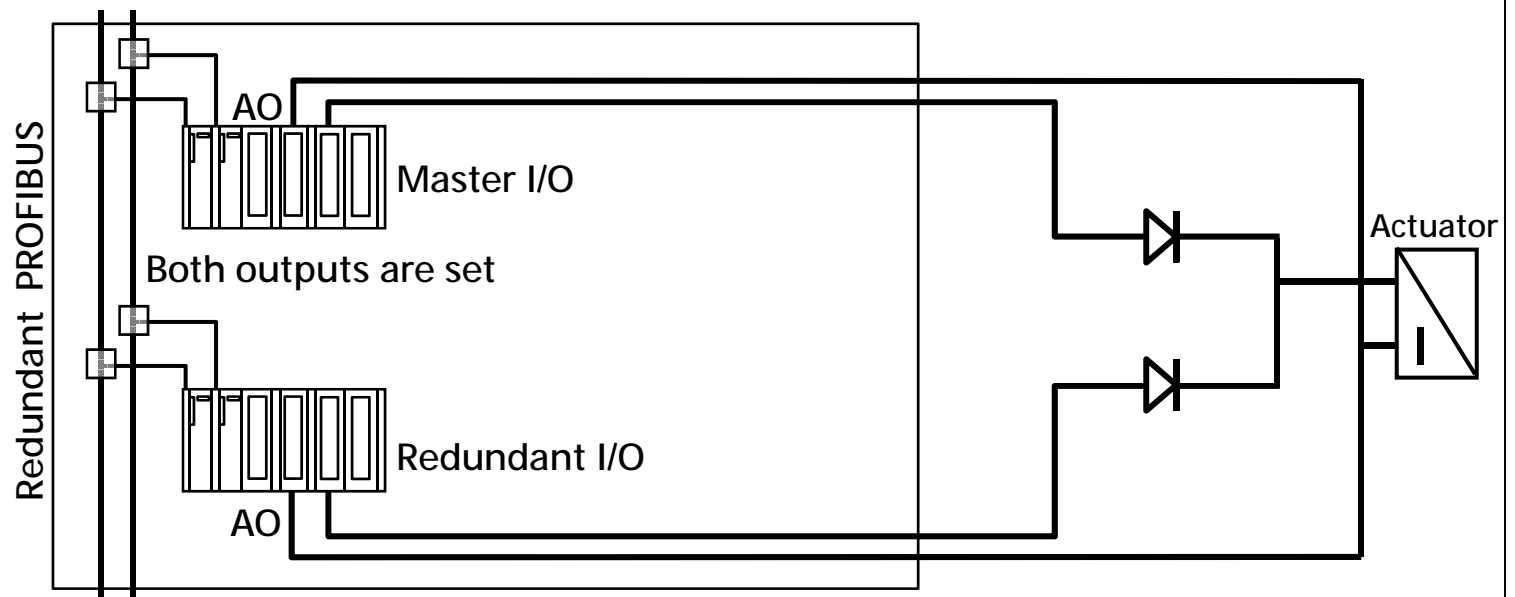
■ Online repair

Configuration

Communication

Redundant I/O

Each output outputs half the value.
When one of the modules fails, the output that is still
intact shows the full value.



Since the function is not suitable for all module types, the manual or Internet should be consulted to find out which modules can currently be used

SIEMENS

